

**CONTENTS**

- (2) Venta-lators
- (2) alcohol pads
- (1) instruction sheet

**Important**

Read all instructions carefully before beginning installation. The ideal installation temperature is between 65°-110°F (18°- 43°C). The deflectors mount on the **OUTSIDE** surface of the door frame.

..... **Helpful Hint** .....

A trial fit is recommended to ensure proper positioning, since installing and then removing the Venta-lators will degrade the adhesive performance of the tape.

**Preparation**

**STEP 1**

Clean the door frame/mirror cap where the deflector will mount with an alcohol pad and wipe dry with a clean cloth. See **FIGURE 1**

**STEP 2**

Remove the tape liner from the front and rear end flanges. To reduce the risk of tape contamination due to improper positioning, expose only 2" (5 cm) of tape from each end of the lateral flange by peeling back liner. See **FIGURE 2**

**Installation**

**STEP 3**

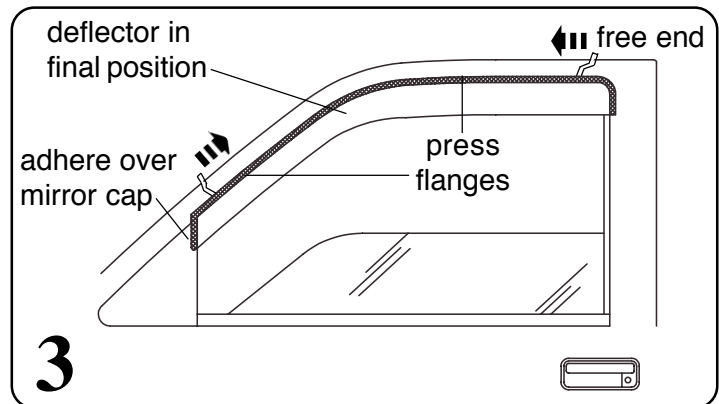
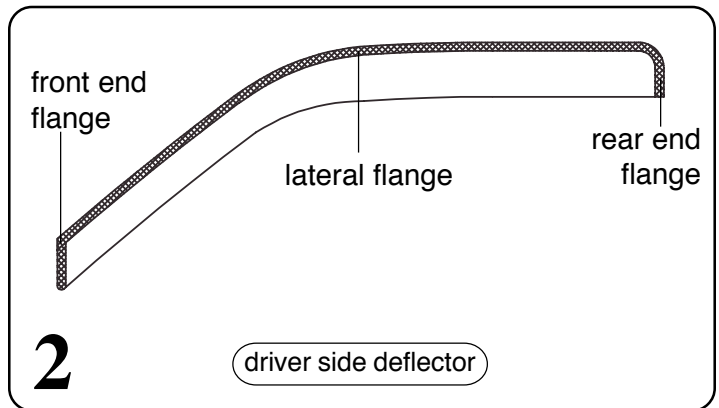
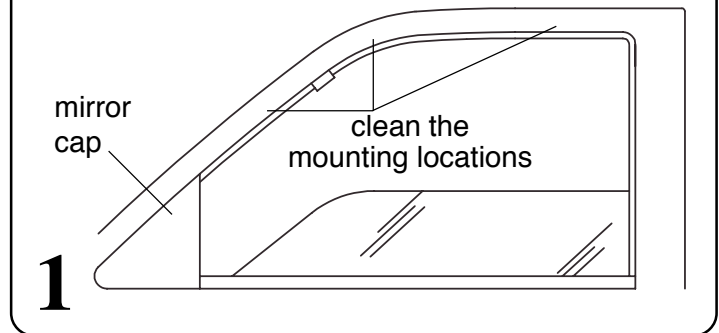
Align the deflector with the previously cleaned door frame. The front end flange will install over the mirror cap. Press the exposed areas of tape against the surfaces and verify position. See **FIGURE 3**

**STEP 4**

With the deflector in its final position, remove the remainder of the tape liner by pulling on the free ends. Run your finger along the flanges to ensure proper adhesion of the tape to the door frame.

Repeat above installation procedure for opposite side.

**NOTE:** Actual application may vary slightly from drawings.



**Venta-lators available for:  
Mack, Peterbilt, Kenworth, Freightliner,  
International, Volvo and other manufacturers.**